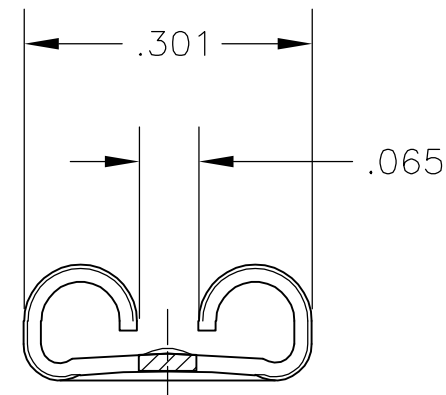
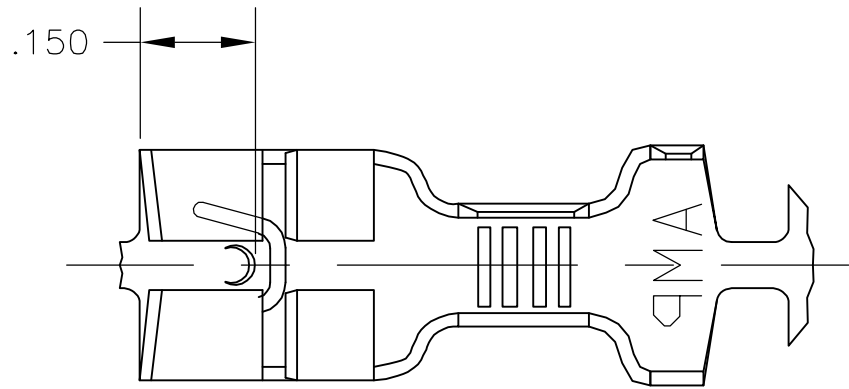


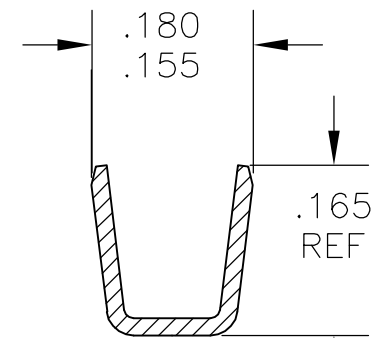
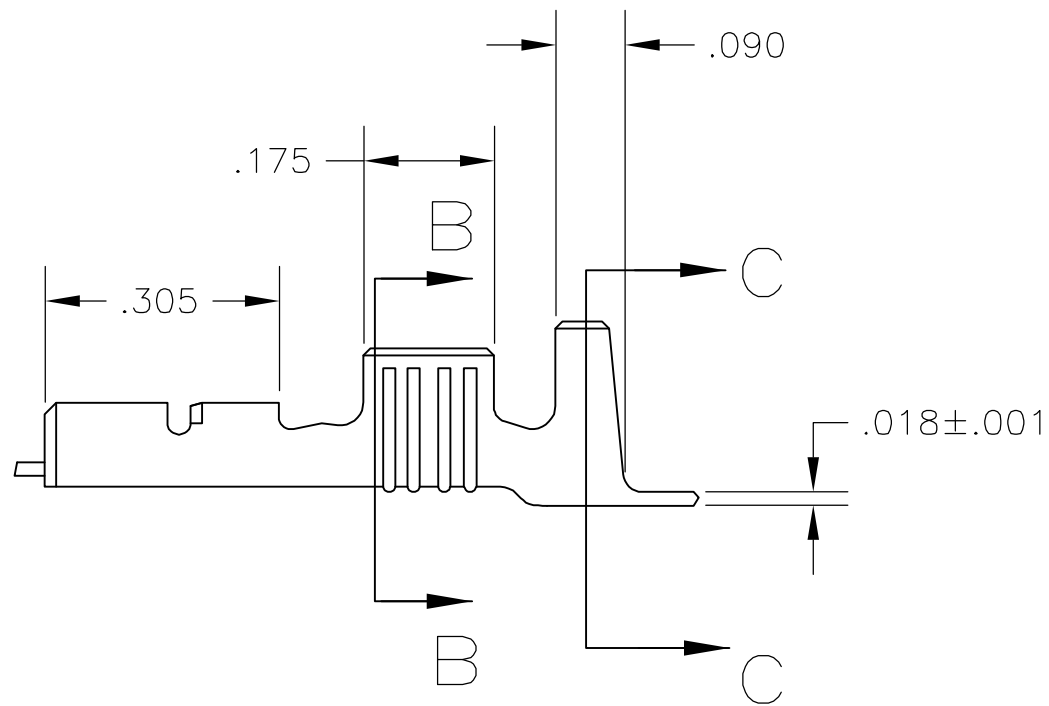
THIS DRAWING IS UNPUBLISHED. RELEASED FOR PUBLICATION
 © COPYRIGHT BY TYCO ELECTRONICS CORPORATION. ALL RIGHTS RESERVED.

LOC	DIST	REVISIONS			
P	LTR	DESCRIPTION	DATE	DWN	APVD
AF	50	E1	REV PER ECR 05-017442	13DEC05	JR PD

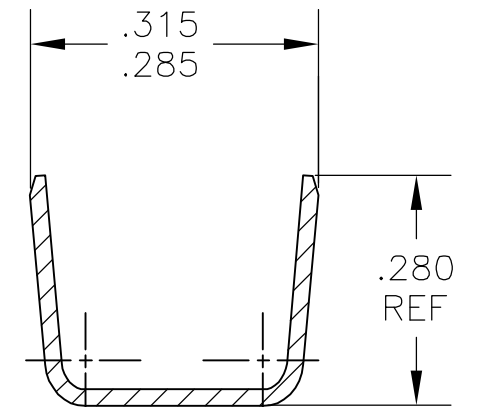
- 1 CONTINUOUS STRIP ON REELS
- 2 MATING TAB THK .032±.001
- 3 WIRE SIZE IS 16-12 OR TWO #18'S.
- 4 INSULATION RANGE .210-.265 OR TWO AT .120 MAX DIA.



VIEW A-A
SCALE 5:1



SECTION B-B
SCALE 5:1



SECTION C-C
SCALE 5:1

.000150 MIN NICKEL	T2 STEEL	63757-2
-	H04 BRASS	63757-1
FINISH	MATERIAL	PART NO.

THIS DRAWING IS A CONTROLLED DOCUMENT.		DWN JR RUTH 10/27/93	Tyco Electronics Corporation Harrisburg, PA 17105-3608		
DIMENSIONS: INCHES		CHK MS FEHER 10/27/93			
TOLERANCES UNLESS OTHERWISE SPECIFIED:		APVD R REINER 10/27/93	NAME RECPT, FASTON, LOW-INSERTION, .250 SERIES		
0 PLC ± - 1 PLC ± - 2 PLC ± .010 3 PLC ± - 4 PLC ± - ANGLES ± -		PRODUCT SPEC -	RESTRICTED TO -		
MATERIAL SEE TABLE		APPLICATION SPEC 114-2036	SIZE A3	CAGE CODE 00779	DRAWING NO C-63757
FINISH SEE TABLE		WEIGHT -	CUSTOMER DRAWING		SCALE 4:1
		SHEET 1 OF 1		REV E1	